

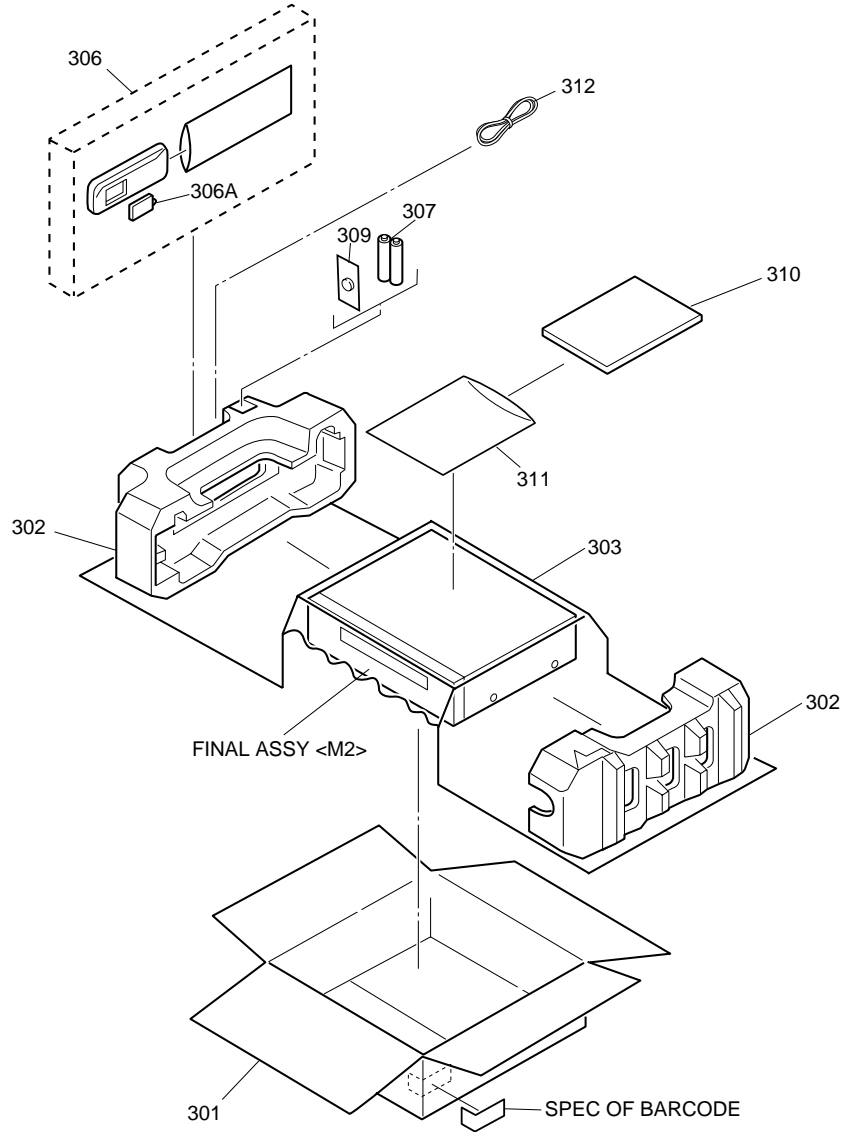
# SECTION 5 PARTS LIST

## SAFETY PRECAUTION

Parts identified by the  $\triangle$  symbol are critical for safety. Replace only with specified part numbers.

### 5.1 PACKING AND ACCESSORY ASSEMBLY <M1>

The instruction manual to be provided with this product will differ according to the destination.



# $\triangle$	REF No.	PART No.	PART NAME, DESCRIPTION
*****			

# $\triangle$	REF No.	PART No.	PART NAME, DESCRIPTION
	311	QPC02503530P	POLY BAG
	312	PEAC0348-02	RF CABLE

### PACKING AND ACCESSORY ASSEMBLY <M1>

	301	LP30994-001A	PACKING CASE
	302	LP30777-001C	CUSHION ASSY
	303	LP30904-002A	SHEET
	306	LP20878-008B	REMOTE CONTROLLER
	306A	LP40610-002A	COVER(BATTERY)
	307	—	BATTERY,X2,"R6/UM-3"TYPE
$\triangle$	309	PECA0903	LI BATTERY,CR2025
$\triangle$	310	LPT0590-001A	INST.BOOK(EN)
$\triangle$		LPT0590-002A	INST.BOOK(CH)
$\triangle$		LPT0590-003A	INST.BOOK(RU)
$\triangle$		LPT0590-004A	INST.BOOK(AR),J287MS